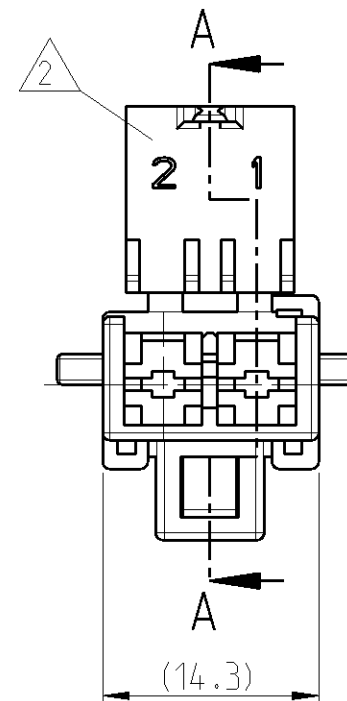
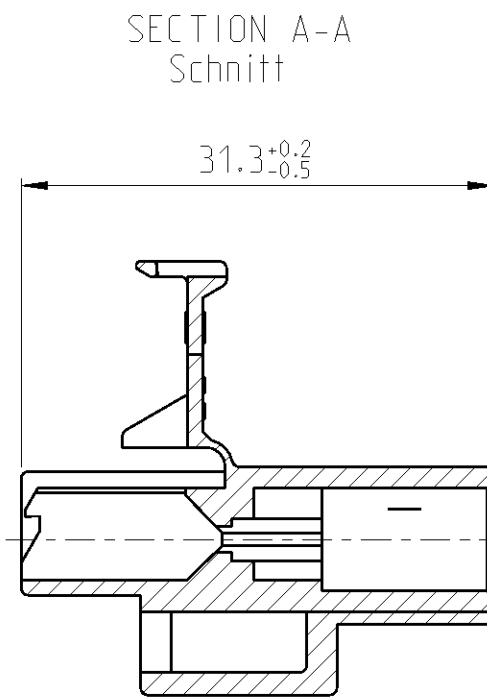
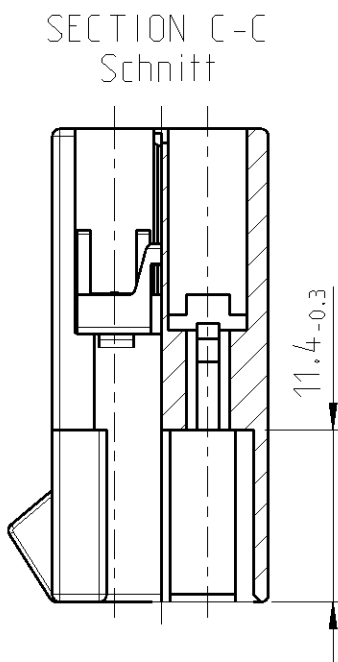
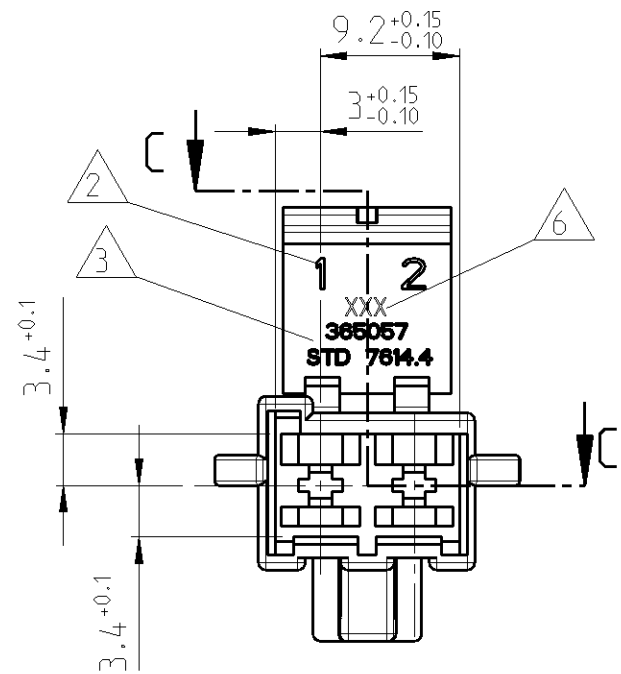


LOC	DIST	REVISIONS				
P	LTR	DESCRIPTION	DATE	DWN	APVD	
		E1	TE Logo changed; Note 6 added	30JAN2013	Ho.	Schin.



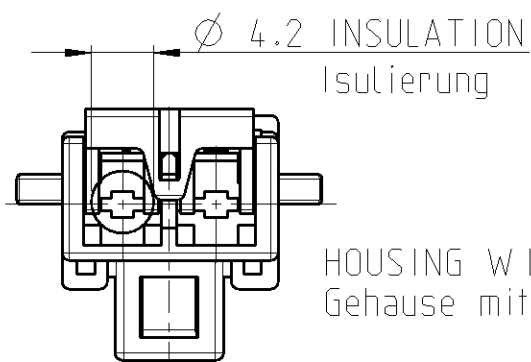
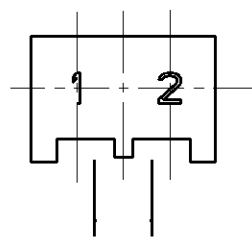
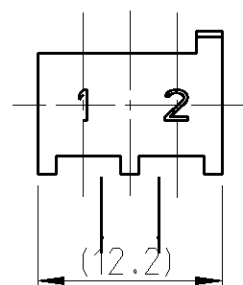
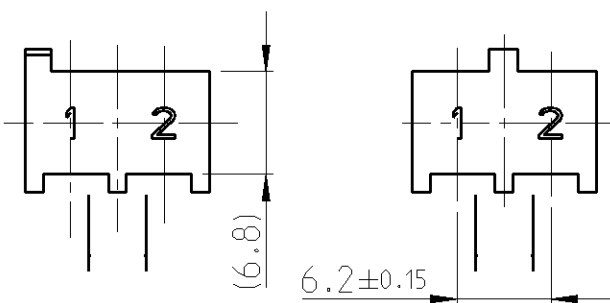
- 1 MATERIAL AND COLORS ARE FREE OF CADMIUM  
Material und Farbbatch muss cadmiumfrei sein
- 2 CHARACTER HEIGHT 2  
Schrifthoehe 2
- 3 CHARACTER HEIGHT 1  
Schrifthoehe 2
- 4 FITTING WITH 365058  
Passend zu 365058
- 5 PARTS MUST BE AIR TIGHT PACKAGED,  
MOISTURE CONTENT MUST BE 2.5±1%  
Teile muessen luftdicht verpackt sein,  
die Feuchte muss 2.5±1% betragen
- 6 LOGO ACC. TO TE SPEC TEC-202-36;  
0.15 RAISED  
Firmenlogo entsprechend TE Spec TEC-202-36;  
0.15 erhaben

CODING 1  
Kodierung

CODING 2  
Kodierung

CODING 3  
Kodierung

CODING 4  
Kodierung

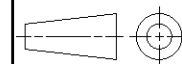


HOUSING WITH CLOSED FLAP  
Gehäuse mit geschlossener Kappe

CODE NO.	PART NUMBER	MATERIAL	COLOUR
CODE 4	365057-4	PA 6.6	YELLOW
CODE 3	365057-3	PA 6.6	BLACK
CODE 2	365057-2	PA 6.6	GREY
CODE 1	365057-1	PA 6.6	NATUR

THIS DRAWING IS A CONTROLLED DOCUMENT.

DIMENSIONS:  
mm



MATERIAL SEE TABLE

TOLERANCES UNLESS OTHERWISE SPECIFIED:

0 PLC	±
1 PLC	±
2 PLC	±
3 PLC	±
4 PLC	±
ANGLES	±°
FINISH	-

DWN R. ULLRICH 12APR1985

CHK J.PASCUAL 15JUN1993

APVD L. BATTLO 15JUN1993

PRODUCT SPEC

APPLICATION SPEC

WEIGHT -

Customer Drawing

12APR1985

15JUN1993

15JUN1993

-

-

-

Customer Drawing

**TE** TE Connectivity

NAME  
2 POS. TAB-HOUSING

SIZE	CAGE CODE	DRAWING NO	RESTRICTED TO
A3	00779	©=365057	-

SCALE 2:1 SHEET 1 OF 1 REV E1